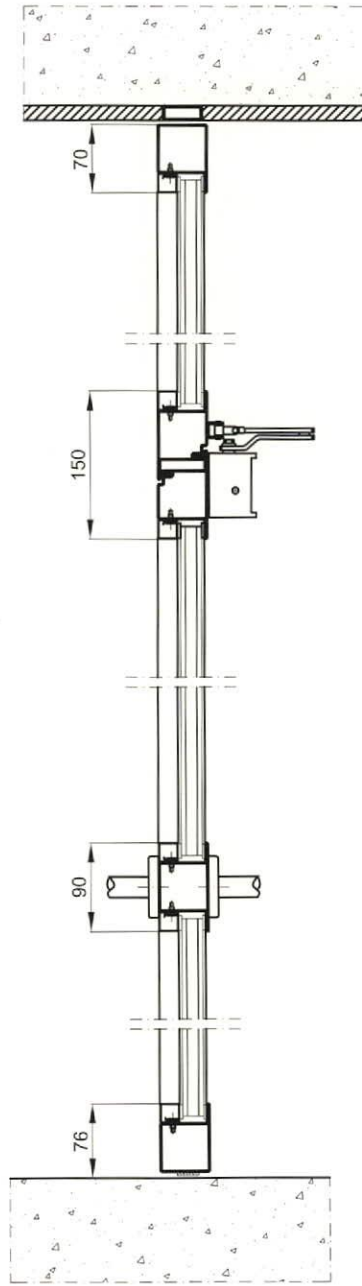
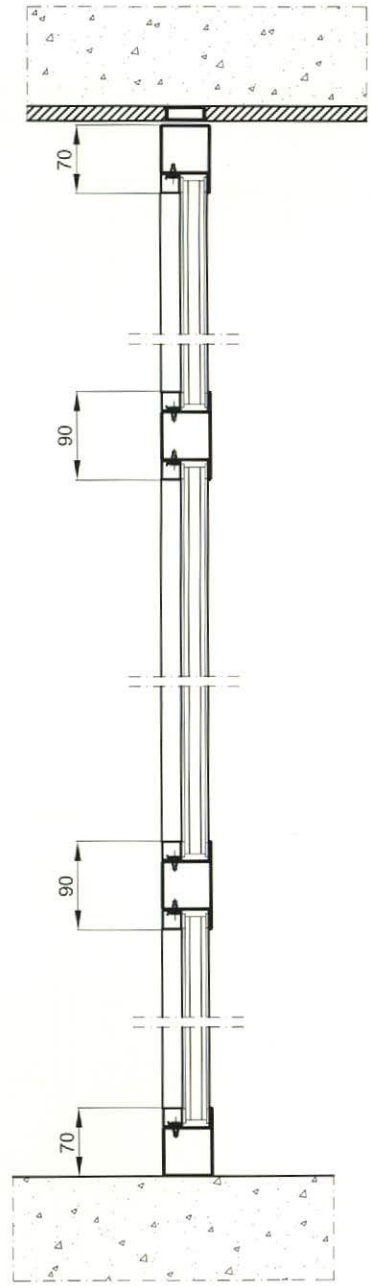


sec. A



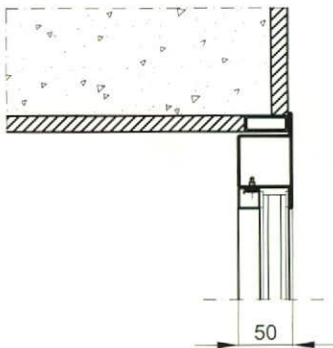
sec. C



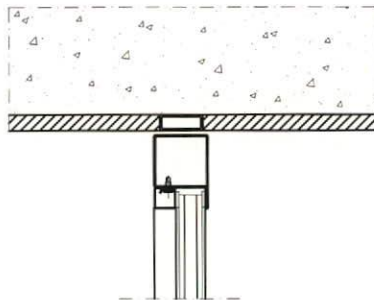
sec. D



MOUNTING WITH INTERNAL REBATE
TYPE "T"



MOUNTING WITH BLOCK FRAME
TYPE "L"



MOUNTING WITH EXTERNAL REBATE
TYPE "Z"

