

Expert Statement

206 37925 dated 19 January 2009



For evidence of suitability of lever handles and knob furniture according EN 1906 : 2002

Client **fimet MANIGLIE S.R.L.**
 Loc. Merlaro n°21

 25078 Nozza di Vestone
 Italien

Basis
 EN 1906 : 2002 - Building hardware – Lever handles and knob furniture – Requirements and test methods

Equivalent to the national version DIN EN.

Expert Statement No.: 206 36651
 Rev 1 dated 18 November 2008

Construction product	Lever handle made of stainless steel	
	Inox art. 101 236	Inox art. 102 236
	Inox art. 103 236	Inox art. 104 236
	Inox art. 131 236	Inox art. 133 236
Designation	Inox art. 135 236	
Thickness of handle	1,2 mm	
Fixing method	Screw-fastened using 2 screws M4x 40	
Lever spindle	8 mm	
Material:	Inox	
Lever handle internal / external	Inox	
Substructure of rose	Zinc die cast	

Instructions for use
 This test report demonstrates compliance with the requirements for lever handles and knob furniture as per EN 1906 : 2002

Validity
 Validity of the expert statement expires with the expiration of validity of the basis mentioned above.

As set out by EN 1906: 2002
 the construction product shall be classified as follows:

Notes on publication
 The ift Guidance Sheet "Conditions and Guidance for the Use of ift Test Documents" applies
 The cover sheet can be used as abstract.

Category of use	Durabilit	Door mass	Fire resistance t	Safety	Corrosion resistance	Security	Design/details
3	7	--	0	0	3	0	A

Contents
 The expert statement comprises a total of 5 pages.

ift Rosenheim
 19. January 2009

- 1 Order
- 2 Basis
- 3 Evaluation
- 4 Results and Statement

Christian Kehrler, Dipl.-Ing. (FH)
 Head of Testing Department
 ift Centre for Pedestrian and Industrial Doors,
 Safety/Security

Alexander Spreitzer
 Test engineer
 ift Centre for Pedestrian and Industrial Doors,
 Safety/Security

Annex 1 (3 pages)



1 Order

The messrs fimet MANIGLIE S.R.L., 25078 Nozza di Vestone commissioned the **ift** Rosenheim to prduce an expert statement on the following:
Evaluation of lever handles requirements of EN 1906:2002.

2 Basis

The evaluation is based on the following **ift**-Rosenheim test report.

- EN 1906:2002-02 Building hardware – Lever handles and knob furniture – Require-ments and test methods
- Test Report No.: 206 36651 Rev 1 dated 18 November 2008,
- Engineering drawings Annex 1, pages 1 to 2

3 Evaluation

Table 1 Examination of the deviation

Tested const- ruction	In the course of the test No. 206 36651 Rev 1 dated 18 November 2008 the door lever inox art. 102/236 was positively tested according to EN 1906 : 2002 within utilisation category 4.
Deviation / changes	Differing from the tested door levers, the door levers listed in attachment 1, page 1 to 2 shall be evaluated according to EN 1906:2002. The material thickness of the door levers changed from 1,5 mm to 1,2 mm
Evaluation / remarks	The listed door levers consist of identical friction bearing technology, identical ma-terials and virtually the same constructive features. The door levers therefore can be categorized according to EN 1906 : 2002 within utilization category 3.

4 Results and Statement

Based on the expert examinations and the test results according to Test Report No.: 206 36651 Rev 1 dated 18 November 2008 the door levers can be clas-sified as per the classification Table 1, page 1 in EN 1906 : 2002.

ift Rosenheim
19 January 2009

**Demonstrate the suitability for lever handles and knob furniture according
EN 1906 : 2002**

Annex 1, page 1 of 3

Expert Statement 206 37925 dated 19 January 2009

Company fimet MANIGLIE S.R.L., 25078 Nozza di Vestone



Construction drawings

for Expert Statement

206 37925

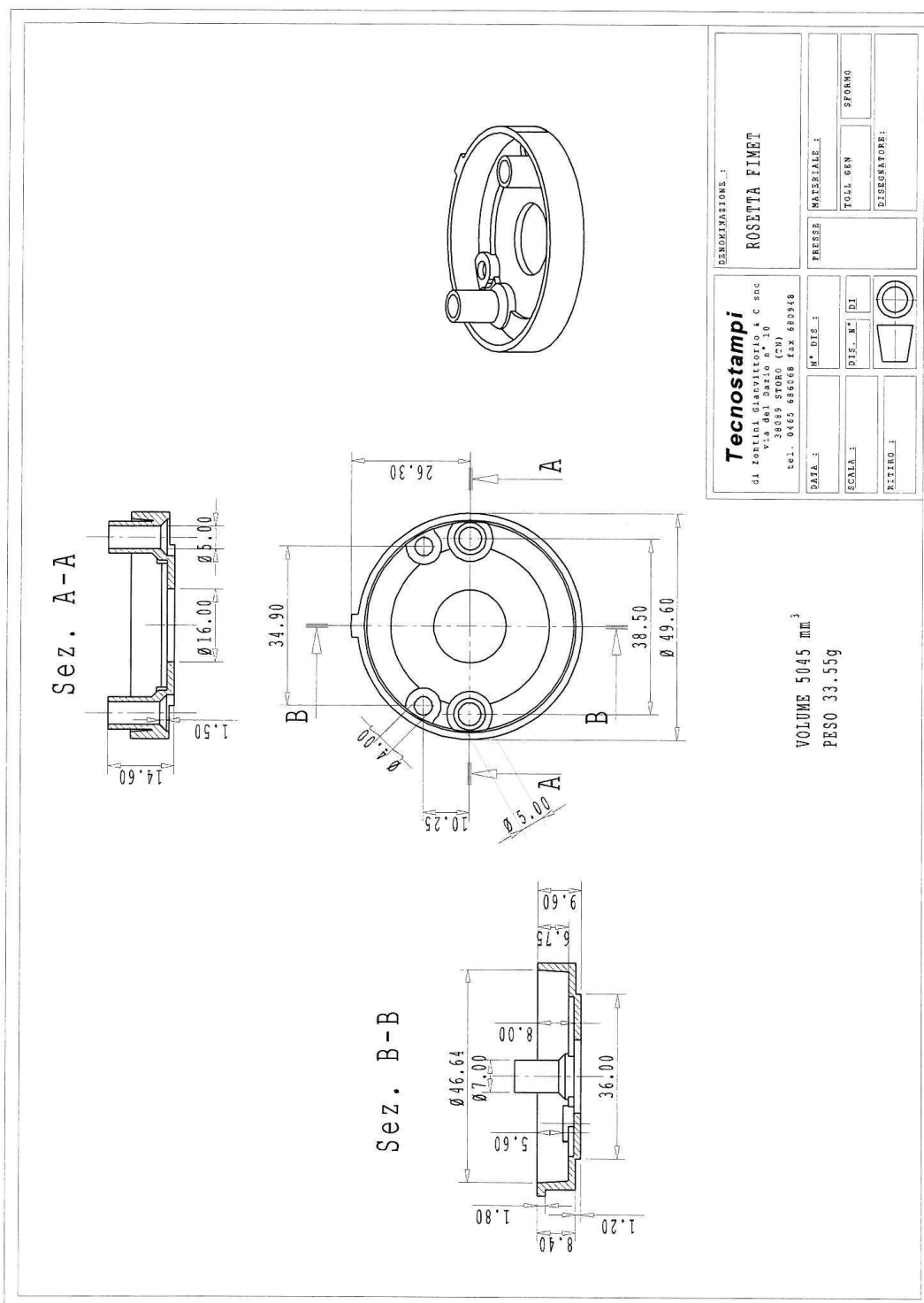
Annex 1 with photos of the company
fimet MANIGLIE, I-25078 Nozza di Vestone
contains 3 pages..

Demonstrate the suitability for lever handles and knob furniture according
EN 1906 : 2002

Annex 1, page 2 of 3

Expert Statement 206 37925 dated 19 January 2009

Company fimet MANIGLIE S.R.L., 25078 Nozza di Vestone



Demonstrate the suitability for lever handles and knob furniture according EN 1906 : 2002

Annex 1, page 3 of 3

Expert Statement 206 37925 dated 19 January 2009

Company fimet MANIGLIE S.R.L., 25078 Nozza di Vestone

